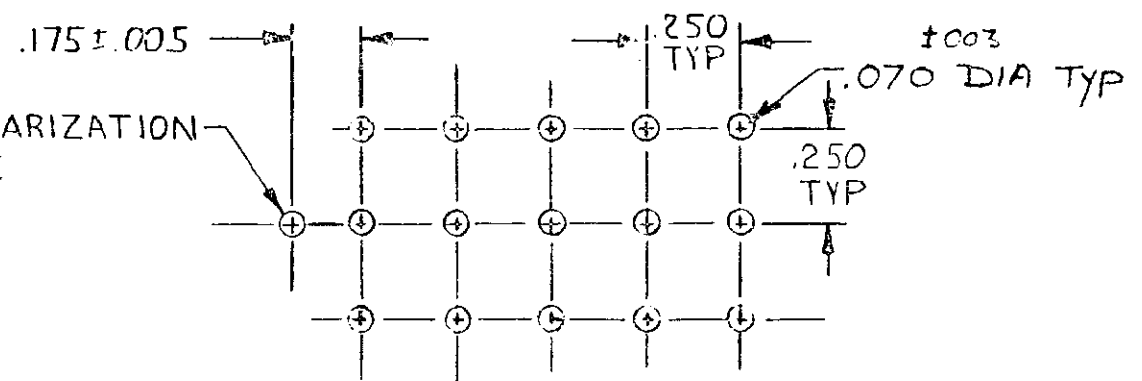
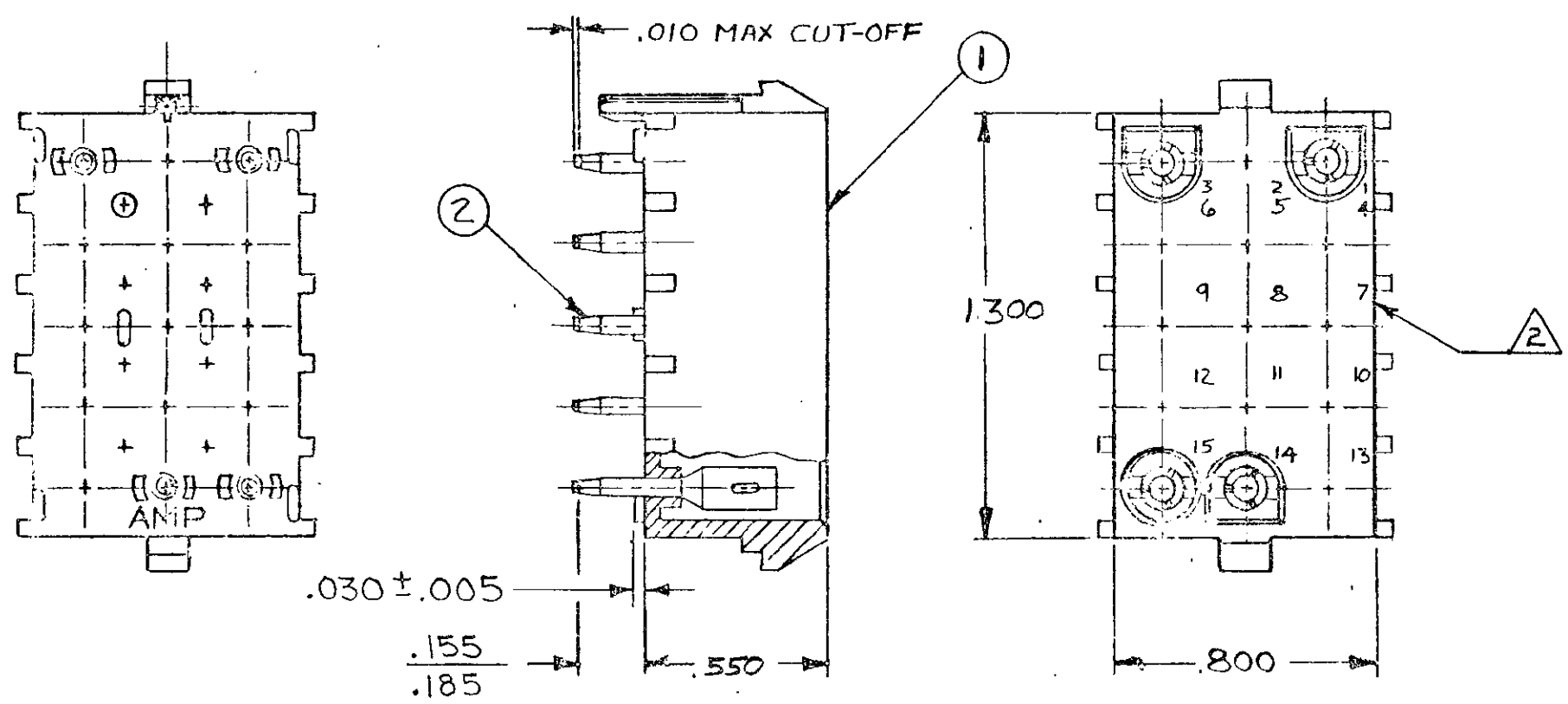


THIS DRAWING IS UNPUBLISHED. RELEASED FOR PUBLICATION 19
 © COPYRIGHT 19 BY AMP INCORPORATED, HARRISBURG, PA. ALL INTERNATIONAL RIGHTS RESERVED. AMP PRODUCTS MAY BE COVERED BY U.S. AND FOREIGN PATENTS AND/OR PATENTS PENDING.

1 LOC CM DIST 53



RECOMMENDED LAYOUT FOR .062 THICK P.C. BOARD

- 1. PARTS COMPLY WITH AMP SOLDERABILITY SPEC 109-11-3.
- △ CIRCUIT IDENTIFICATION CHARACTERS ARE ADJACENT TO THE INDICATED CAVITIES, BUT LOCATION AND ORIENTATION MAY DIFFER FROM PRINT.

		REVISIONS			
P/F	ZONE	LTR	DESCRIPTION	DATE	APPROVED
✓		0	RELEASED NEW DRAWING, TT 83-17	3-21-83	DHS/D.H.
✓		A	REVISED PER ECN M-7383	9-12-83	SDW/HJ
✓		B	REVISED PER ECN AG 214	1-27-84	MC/KS
✓		B1	RESTORATION	2-28-85	W/N.J.
✓		C	REVISE PER CM-1511	2-10-85	PPC/RS
✓		D	REV PER ECN 0730-3928-92	1-8-93	NAG/RS
✓		E	REV PER EC 0730-0202-94	11-28-94	JH/RS
✓		F	REV PER EC 0730-0111-95	8-27-95	JH/RS

No. PER ASSY	DESCRIPTION	MATERIAL & FINISH	ITEM No.	PART NO
15	SOCKET	PH. BRZ, PRE-TIN	2	643430-1
1	HOUSING	NYLON, 94V-0	1	

UNLESS OTHERWISE SPECIFIED DIMENSIONS ARE IN INCHES. TOLERANCES ON: DECIMALS ± .015 ANGLES ±	CONTRACT NO		AMP AMP INCORPORATED Harrisburg, Pa.	
	DK	3-21-83		
MATERIAL SEE TABLE	CHK BY		NAME	
	D. S. Yelton 4/8/83		HEADER ASSEMBLY, SOCKET, POLARIZED, UNIVERSAL MATE-N-LOK™, 15 CIRCUIT	
FINISH SEE TABLE	APPD	APPD	SIZE	FSCM NO
	D. S. Yelton 1/8/93		B	00779
OTHER APPD		DRAWING NO	643430	
		SCALE	SHEET	
		?		